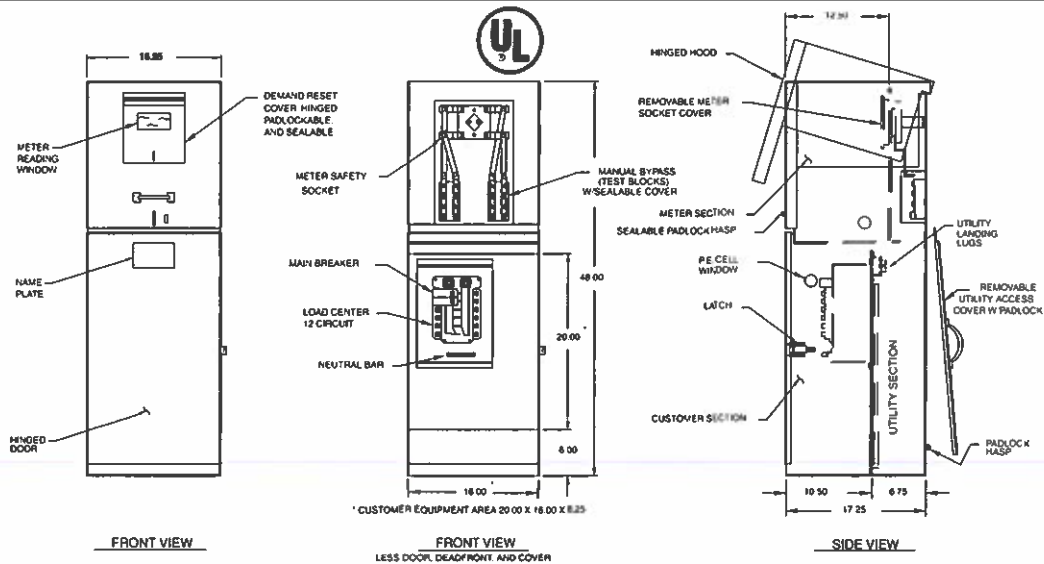




MEUG16 (formerly MEUGL) Caltrans Type III-BF

Designed to supply metered power to remote locations.
Typical applications include parking lot lighting, pump stations, and street lighting.



STANDARD FEATURES

- Standard voltage 120/240V 1ø 3W.
- Meter Socket: 4 jaw, 100 amps or 200 amps.
- Meter socket with test blocks.
- 12 circuit copper bussed interior.
- Main Breaker: 100 amp or 200 amp, 10k AIC.
- Utility Landing Lugs: 200 amps, 250 kcmil.
- Utility test section.
- Vandal-resistant hinged door and dead front.
- Light green powder coat finish in accordance with ASTM B-117. Custom colors available.

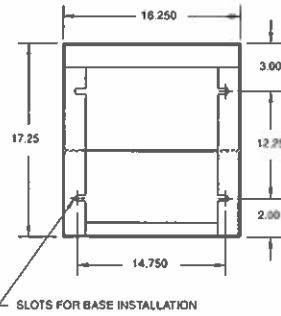
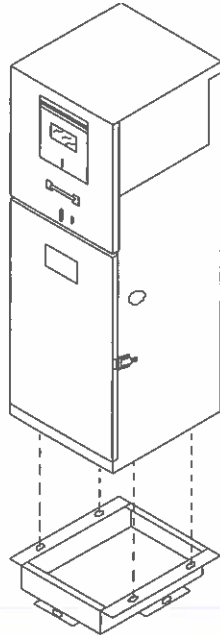
OPTIONAL FEATURES

- Maximum voltage 480Y/277V 3ø 4W (may effect optional equipment).
- 12 circuit interior may be increased to 30 circuit.
- Higher AIC available upon request.
- P.E. cell, test switch, lighting relay may be added to standard.
- Some equipment modifications available. Consult your factory representative.
- Meter Sockets: 5 jaw or 7 jaw, 100 amps or 200 amps.
- Uni-body construction available in steel, stainless steel, and aluminum.
- Pad Mounting Base available for concrete foundation. Order separately - MEUG16-BASE.
- Anchor Bolts. Order separately - 714548 (quantity 4).

SPECIFICATIONS

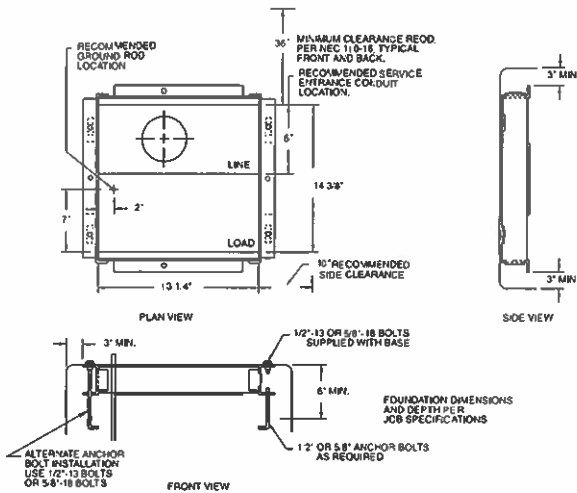
- 12-gauge corrosion-resistant zinc-coated steel construction. Hood and covers 14-gauge.
- Rainproof Type 3R enclosure.
- Complies with Caltrans specification ES-2E.
- Meets EUSERC 308 requirements.
- All factory wiring is 600 volt rated copper.
- Acceptable circuit breakers are GE, ITE, Crouse-Hinds/Murray, Cutler-Hammer.
- Suitable for use without main when no more than six service disconnects are installed and used in accordance with article 384 of the NEC.
- Listed by Underwriters Laboratories, Inc.

<p align="center">Standard Models <i>Custom Configurations also available.</i> <i>Consult your factory representative.</i></p>	Catalog No.	Amps	Voltage	Main	AIC Rating
	MEUG16-M100	100	120/240	100A	10,000
	MEUG16-M200	200	120/240	200A	10,000
<i>For aluminum enclosure, order MEUG16A-</i> <i>For stainless steel enclosure, order MEUG16X-</i>					



BOTTOM VIEW
MOUNTING SLOT DETAIL

BASE DETAIL



Tel: 866-MY-MYERS Fax: 951-520-1961
www.myerspowerproducts.com

Specifications are subject to change without notice to reflect improvements and upgrades.